

NOTES:

1. MATERIAL OF CONSTRUCTION IS 304 SS BRUSHED TO A #4 FINISH.
2. MOUNTS MVI KEYCOM FLUSH MOUNT.

UNLESS OTHERWISE SPECIFIED:

DIMENSIONS ARE IN INCHES  
TOLERANCES:  
FRACTIONAL  $\pm 1/32$   
ANGULAR:  $\pm 2^\circ$   
TWO PLACE DECIMAL  $\pm 0.010$   
THREE PLACE DECIMAL  $\pm 0.005$

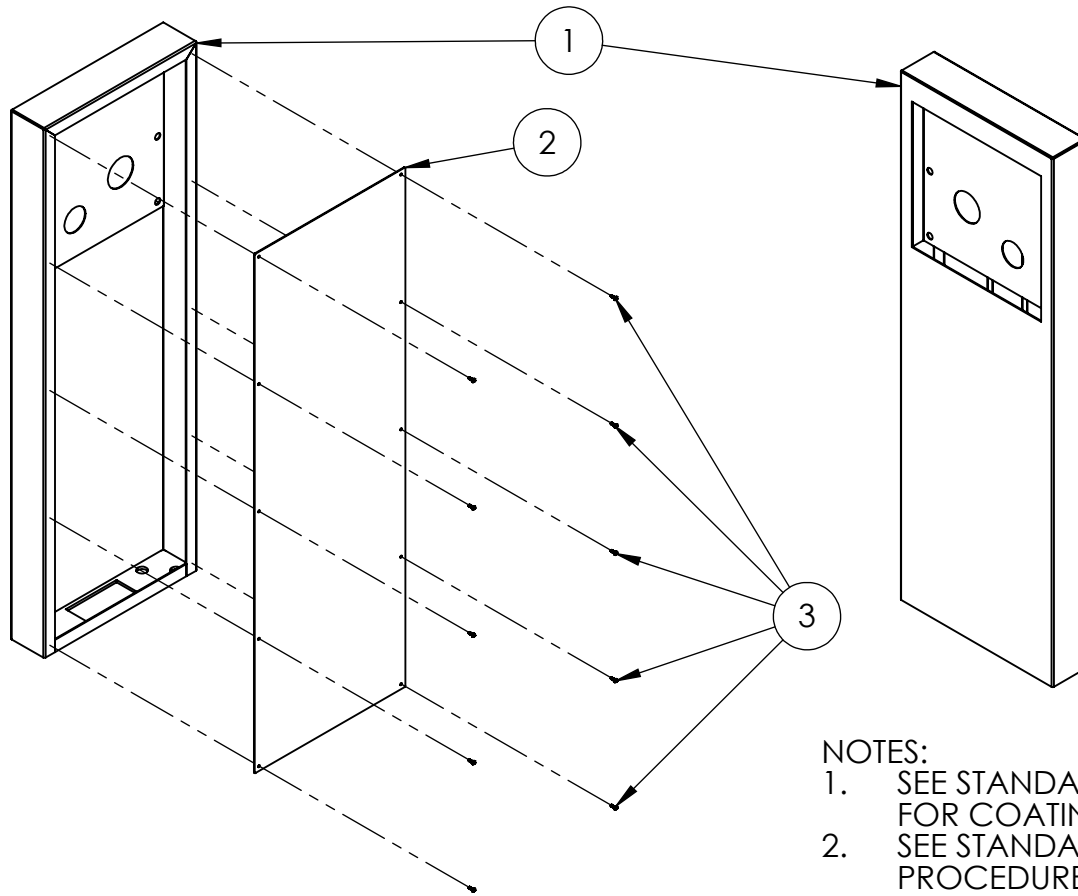
INTERPRET GEOMETRIC  
TOLERANCING PER:  
ASME Y14.5 -2009

	NAME	DATE
DRAWN		
CHECKED		

TITLE:  
**INSTALLATION**

	SIZE <b>A</b>	PART NO. 184TOW-MVI-002-304	REV <b>A</b>
WEIGHT:	NO SCALE	SHEET 1 OF 9	

ITEM NO.	PART NUMBER	DESCRIPTION	QTY.
1	MX-SS-21S MAIN BODY	304SS TOWER WELDMENT	1
2	MX-SS-21S ACCESS DOOR	304SS ACCESS DOOR	1
3	--	8-32 SS BUTTON HEAD SCREW	10



- NOTES:
1. SEE STANDARD PREPARATION AND COATING INSTRUCTIONS FOR COATING PROCEDURE AND COLOR.
  2. SEE STANDARD PACKAGING INSTRUCTIONS FOR PACKAGING PROCEDURE.

UNLESS OTHERWISE SPECIFIED:

DIMENSIONS ARE IN INCHES  
TOLERANCES:  
FRACTIONAL  $\pm 1/32$   
ANGULAR:  $\pm 2^\circ$   
TWO PLACE DECIMAL  $\pm 0.010$   
THREE PLACE DECIMAL  $\pm 0.005$

INTERPRET GEOMETRIC  
TOLERANCING PER:  
ASME Y14.5 -2009

	NAME	DATE
DRAWN		
CHECKED		

TITLE:  
**ASSEMBLY**

SIZE <b>A</b>	PART NO. 184TOW-MVI-002-304	REV <b>A</b>
WEIGHT:	NO SCALE	SHEET 2 OF 9